

Name:

Date:

Track:

Length:      Front width:      Rear width:      Wheelbase:      Height:      Weight:

Engine

Type:

Gasket:

Plug:

Fuel:

Diff.Oil

Front:Grease

Center:Grease

Rear:Grease

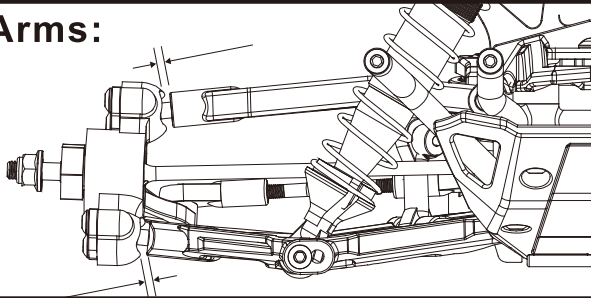
Motor gear

12T  13T  14T  other:

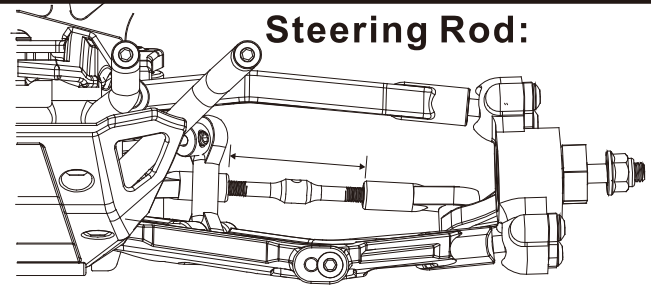
Spur gear

42T  other:

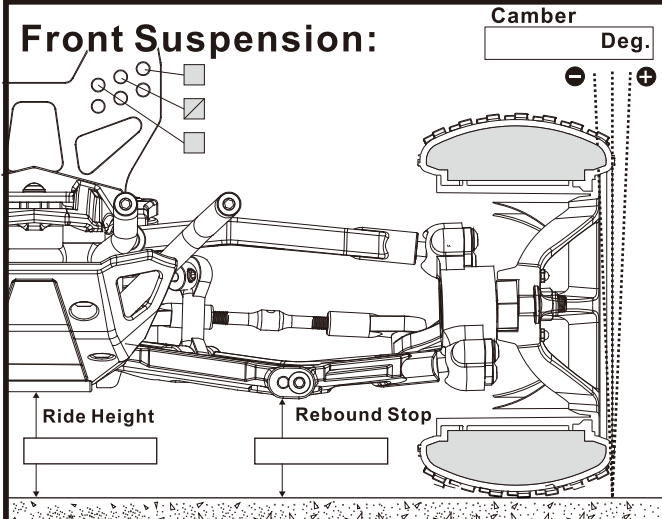
Front Arms:



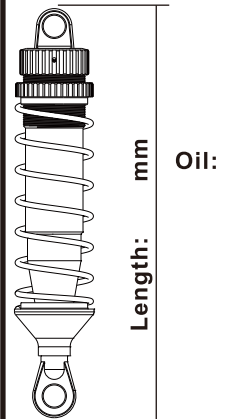
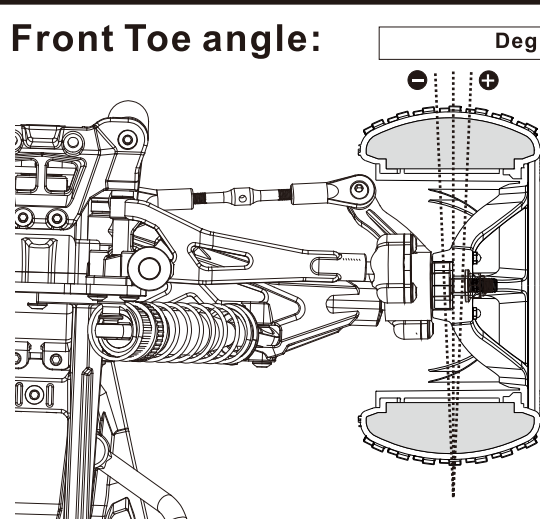
Steering Rod:



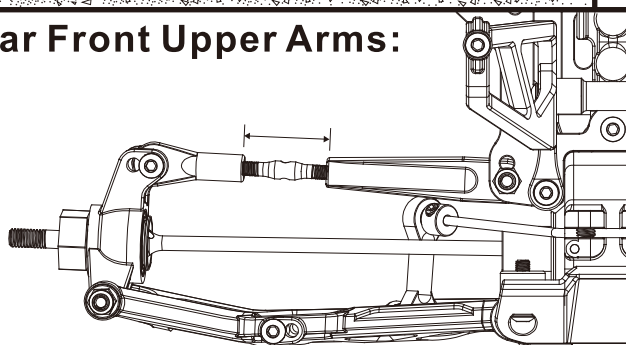
Front Suspension:



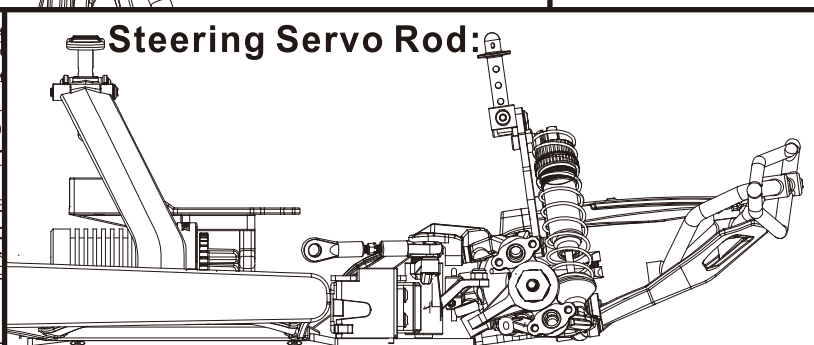
Front Toe angle:



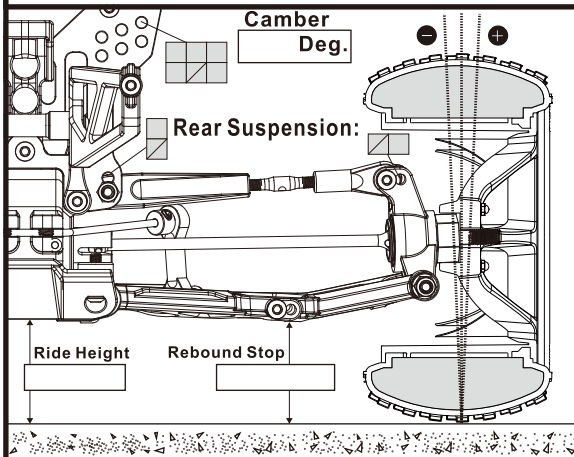
Rear Front Upper Arms:



Steering Servo Rod:



Rear Suspension:



Rear Toe angle:

